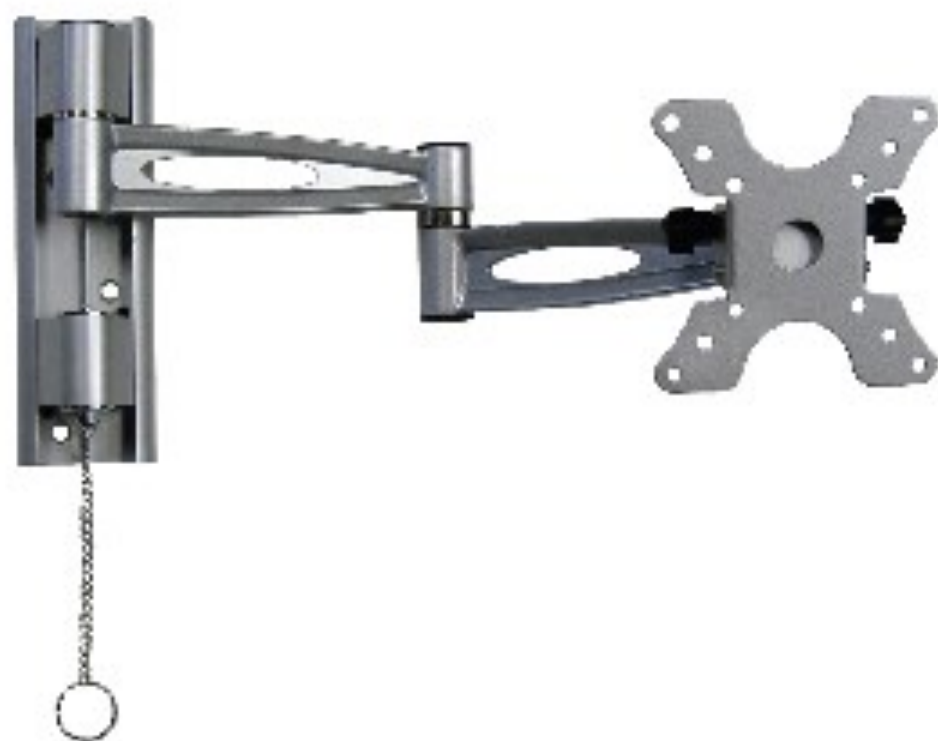


LCD Wall Mount

for Models:

LCD-403-L, LCD-404-L



TO LOCK:

Pull chain, push TV so that locking pin and pin hole are aligned, release chain. be sure the pin is in hole and mount is securely locked.

TO RELEASE:

Pull Chain to Re ease

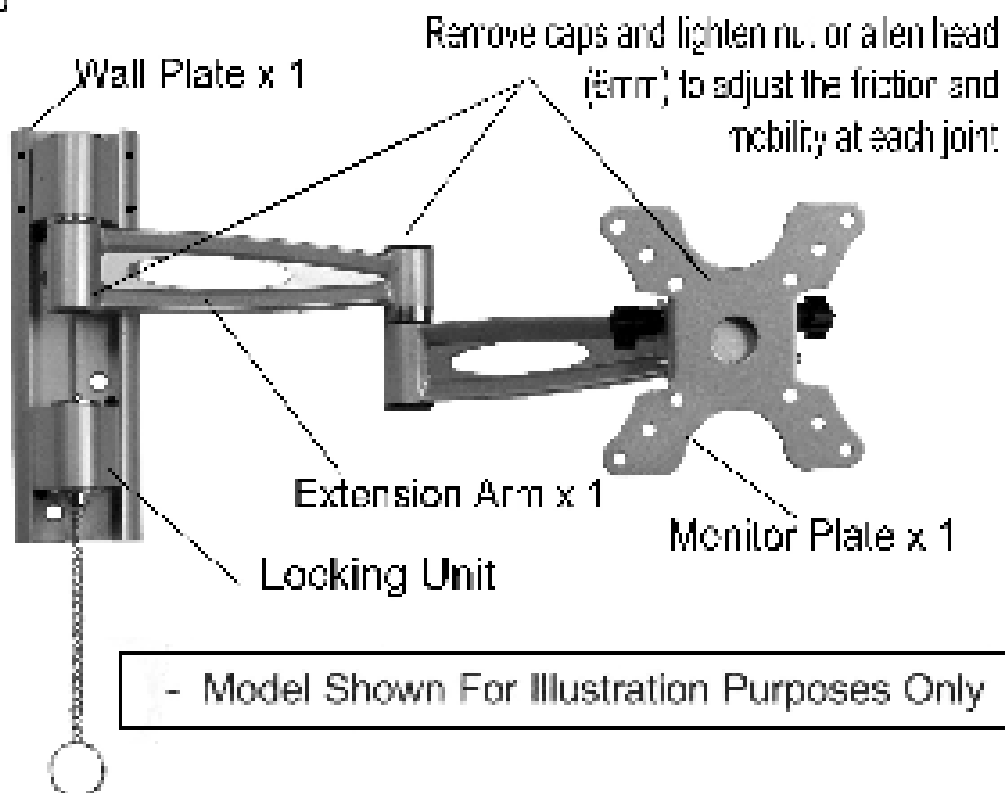
Mounting Instructions

Contents of the box

Using the allen head wrench provided...

Tighten the small screws (4) to secure the extension arm to the wall plate. Do not overtighten.

Loosen the small screws (4) to remove the extension arm from the wall plate.



Level x 1



Small x 8



Medium x 2



Star x 2



Spacer x 4



Sheet Rock Anchors x 3



Philips Screws x 3



Large x 3



M4x10mm x 4



M4x20mm Screw x 4



Knob Alternative x 2



Knob x 2



Cable Ring x 2

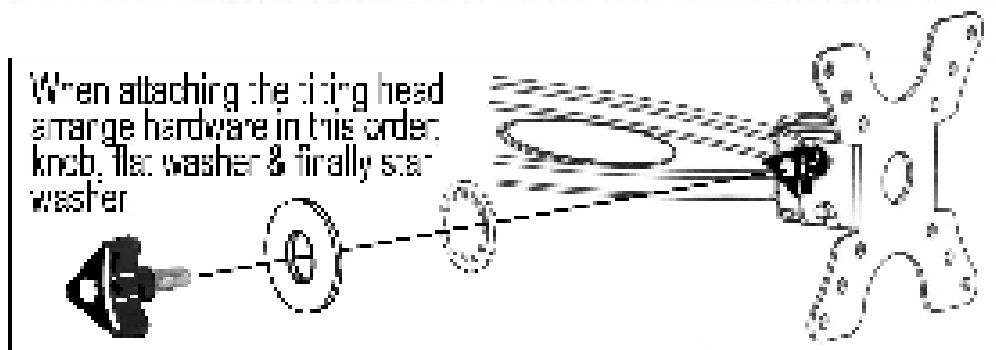
Warning

Read this guide before installation of your mount and TV.

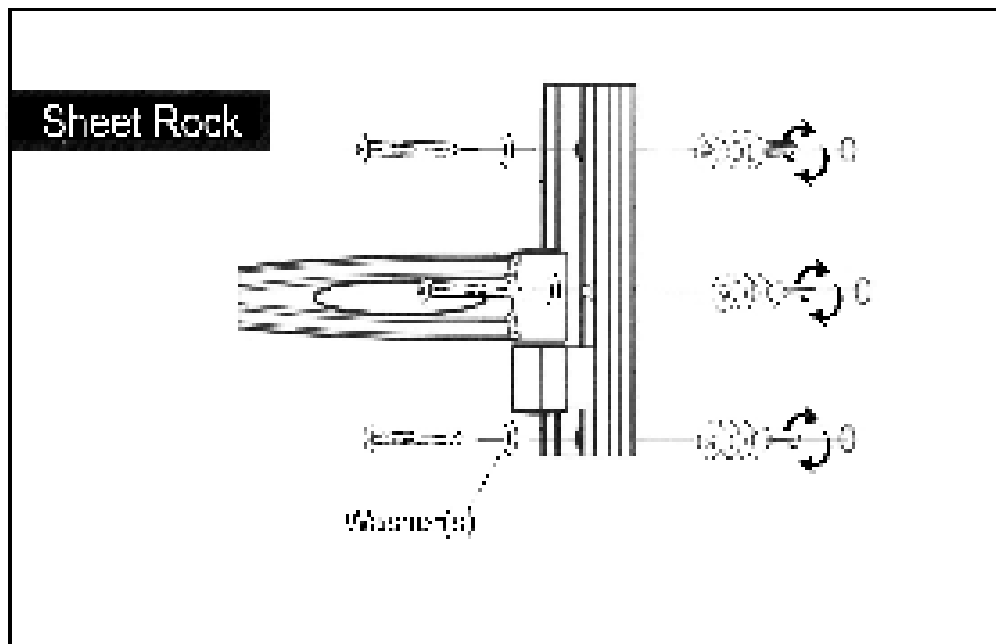
Correct mounting is vital. Maximum weight of flat LCD: 14kgs/30lbs.

Only mount product on walls made of wood, brick or concrete with a maximum of 1/8" wall finish or 5/8" sheet rock. For sheet rock installation, you must locate and mount where there is a stud. Contact a professional installer for details for attaching this product to other materials. If not installed as directed, responsibility falls outside of the Manufacturer.

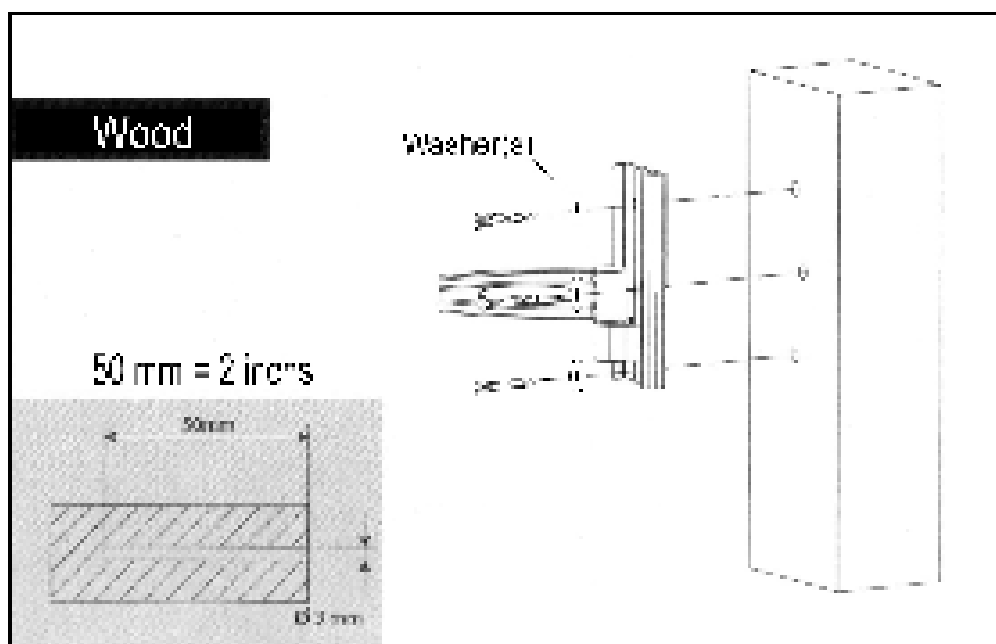
Monitor plate assembly



Installation



Screw sheet rock anchors into wall until flush. Use philips screws & washers to secure mount to wall.

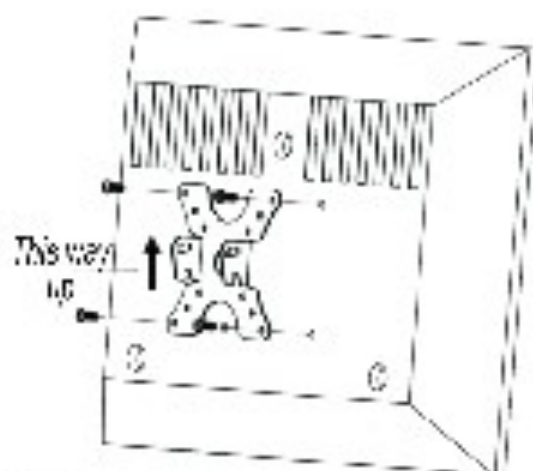


Installation

OPTION A

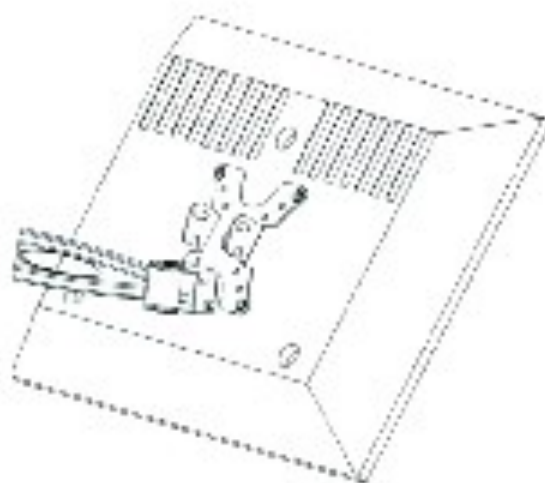
Step 1

Fit the Monitor Plate on the back of the Monitor. Use four M4 x 10 screws (provided) to secure. Use spacers (provided) with the screws if necessary.



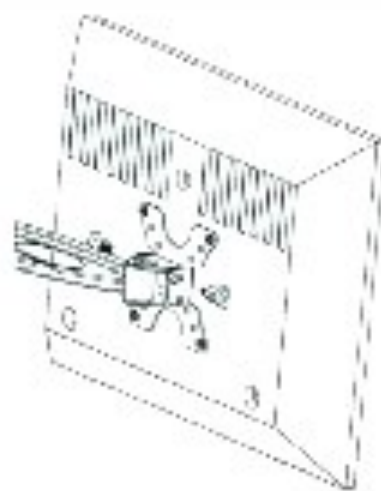
Step 2

Hook the Monitor Plate to the end of the Wall Plate.



Step 3

Once hooked from step #2, install 2 knobs (provided)



OPTION B

Perform Step 1 while the monitor plate and knobs are installed.